



21154

*The brand names are reference purpose only.*

STOCK CODE	OEM CODE	BRAND	MODEL	YEAR	GROUP NAME	STATUS	BARCODE	BOX	PARCEL
21154	1844A1	PEUGEOT	PARTNER (M49-M59)	11/1996 - 03/2008	ENGINE MOUNTING BUSHING	CENTER	8698984211547	1	6



Sen yane bilizimden sasma *Orjin al.*



www.orjinautomotive.com



*The brand names are reference purpose only.*

STOCK CODE	OEM CODE	BRAND	MODEL	YEAR	GROUP NAME	STATUS	BARCODE	BOX	PARCEL
21545	1K0412303E	SEAT	ALTEA (5P1)	03/2004 - 09/2015	ENGINE MOUNTING	CENTER	8698984215453	1	6
21545	1K0412303E	SEAT	LEON (1P1)	09/2005 - 09/2012	ENGINE MOUNTING	CENTER	8698984215453	1	6
21545	1K0412303E	SEAT	TOLEDO III (5P2)	10/2004 - 05/2009	ENGINE MOUNTING	CENTER	8698984215453	1	6
21545	1K0412303E	SKODA	OCTAVIA (1Z3)	02/2004 - 03/2013	ENGINE MOUNTING	CENTER	8698984215453	1	6
21545	1K0412303E	SKODA	SUPERB (3T4)	07/2008 - 05/2015	ENGINE MOUNTING	CENTER	8698984215453	1	6
21545	1K0412303E	VOLKSWAGEN	BEETLE (5C1)	04/2011-->	ENGINE MOUNTING	CENTER	8698984215453	1	6
21545	1K0412303E	VOLKSWAGEN	CC (358)	11/2011-->	ENGINE MOUNTING	CENTER	8698984215453	1	6
21545	1K0412303E	VOLKSWAGEN	GOLF V (1K1)	10/2003 - 02/2009	ENGINE MOUNTING	CENTER	8698984215453	1	6
21545	1K0412303E	VOLKSWAGEN	JETTA	09/2005 - 10/2010	ENGINE MOUNTING	CENTER	8698984215453	1	6
21545	1K0412303E	VOLKSWAGEN	PASSAT	11/2000 - 05/2005	ENGINE MOUNTING	CENTER	8698984215453	1	6



*Sen yane biletizimden sasma Orjin al.*



www.orjinautomotive.com



21560

*The brand names are reference purpose only.*

STOCK CODE	OEM CODE	BRAND	MODEL	YEAR	GROUP NAME	STATUS	BARCODE	BOX	PARCEL
21560	543200001R	RENAULT	FLUENCE	02/2010-->	SHOCK ABSORBER MOUNTING	CENTER	8698984215606	1	6
21560	543200001R	RENAULT	MEGANE III (BZ,_DZ,_KZ_)	11/2008-->	SHOCK ABSORBER MOUNTING	CENTER	8698984215606	1	6
21560	543200001R	RENAULT	SCENIC III	02/2009-->	SHOCK ABSORBER MOUNTING	CENTER	8698984215606	1	6



Sen yane biletizimden sasma *Orjin al.*



www.orjinautomotive.com



21577

*The brand names are reference purpose only.*

STOCK CODE	OEM CODE	BRAND	MODEL	YEAR	GROUP NAME	STATUS	BARCODE	BOX	PARCEL
21577	503150	CITROEN	C8	07/2002-->	SHOCK ABSORBER MOUNTING	CENTER	8698984215774	1	6
21577	503150	CITROEN	EVASION	06/1994 - 07/2002	SHOCK ABSORBER MOUNTING	CENTER	8698984215774	1	6
21577	503150	CITROEN	JUMPY	06/1994 - 01/2007	SHOCK ABSORBER MOUNTING	CENTER	8698984215774	1	6
21577	503150	PEUGEOT	806	06/1994 - 08/2002	SHOCK ABSORBER MOUNTING	CENTER	8698984215774	1	6
21577	503150	PEUGEOT	807	06/2002-->	SHOCK ABSORBER MOUNTING	CENTER	8698984215774	1	6
21577	503150	PEUGEOT	EXPERT	07/1995 - 12/2006	SHOCK ABSORBER MOUNTING	CENTER	8698984215774	1	6



Sen yane biletizimden sasma *Orjin al.*



www.orjinautomotive.com



21578

*The brand names are reference purpose only.*

STOCK CODE	OEM CODE	BRAND	MODEL	YEAR	GROUP NAME	STATUS	BARCODE	BOX	PARCEL
21578	503384	PEUGEOT	206(2A/C)1.6 16V HATCHBAC	09/1998-->	ENGINE MOUNTING	CENTER	8698984215781	1	6



*Sen yine biletizimden sasma Orjin al.*



www.orjinautomotive.com



21579



*The brand names are reference purpose only.*

STOCK CODE	OEM CODE	BRAND	MODEL	YEAR	GROUP NAME	STATUS	BARCODE	BOX	PARCEL
21579	509458	CITROEN	SAXO (VTS-VTR)	06/1996 - 10/2003	ENGINE MOUNTING	CENTER	8698984215798	1	6





21580

*The brand names are reference purpose only.*

STOCK CODE	OEM CODE	BRAND	MODEL	YEAR	GROUP NAME	STATUS	BARCODE	BOX	PARCEL
21580	509472	CITROEN	SAXO (VTS-VTR)	06/1996 - 10/2003	CLUTCH REPAIR KIT Ø18 MM	CENTER	8698984215804	1	6
21580	509472	PEUGEOT	106 II (1A, 1C)	09/1991 - 02/2004	CLUTCH REPAIR KIT Ø18 MM	CENTER	8698984215804	1	6



21581

*The brand names are reference purpose only.*

STOCK CODE	OEM CODE	BRAND	MODEL	YEAR	GROUP NAME	STATUS	BARCODE	BOX	PARCEL
21581	514232	PEUGEOT	307	09/2001→	SHOCK ABSORBER MOUNTING	CENTER	8698984215811	1	6







21582



*The brand names are reference purpose only.*

STOCK CODE	OEM CODE	BRAND	MODEL	YEAR	GROUP NAME	STATUS	BARCODE	BOX	PARCEL
21582	517110	PEUGEOT	PARTNER	04/2008-->	BUSHING	CENTER	8698984215828	1	6



*Sen yine biletizimden sasma Orjin al.*



www.orjinautomotive.com



21583



*The brand names are reference purpose only.*

STOCK CODE	OEM CODE	BRAND	MODEL	YEAR	GROUP NAME	STATUS	BARCODE	BOX	PARCEL
21583	517111	PEUGEOT	406	10/1995 - 10/2004	BUSHING	CENTER	8698984215835	1	6



Sen yane biletizimden sasma *Orjin* al.



www.orjinautomotive.com



21585

*The brand names are reference purpose only.*

STOCK CODE	OEM CODE	BRAND	MODEL	YEAR	GROUP NAME	STATUS	BARCODE	BOX	PARCEL
21585	1348231 /3N615484AA	FORD	C-MAX I (CB3, DM2)	02/2007 - 09/2010	BUSHING	CENTER	8698984215859	1	6



Sen yane biletizimden sasma *Orjin al.*



www.orjinautomotive.com



21586

*The brand names are reference purpose only.*

STOCK CODE	OEM CODE	BRAND	MODEL	YEAR	GROUP NAME	STATUS	BARCODE	BOX	PARCEL
21586	811511247	AUDI	80 (80-81-82-85-B1-B2)	05/1972 - 08/1986	BUSHING	CENTER	8698984215866	1	6





21587

*The brand names are reference purpose only.*

STOCK CODE	OEM CODE	BRAND	MODEL	YEAR	GROUP NAME	STATUS	BARCODE	BOX	PARCEL
21587	4A0407181 /4A0407181A	AUDI	100 (4A-C4)	12/1990 - 07/1994	BUSHING	CENTER	8698984215873	1	6



Sen yane bilâğizinden sasma *Orjin al.*



www.orjinautomotive.com



21588

*The brand names are reference purpose only.*

STOCK CODE	OEM CODE	BRAND	MODEL	YEAR	GROUP NAME	STATUS	BARCODE	BOX	PARCEL
21588	811407181 /811407181A /811407181H	AUDI	80 (80-81-82-85- B1-B2)	05/1972 - 08/1986	BUSHING	CENTER	8698984215880	1	6



Sen yane bilatizimden sasma *Orjin al.*



www.orjinautomotive.com



21589

*The brand names are reference purpose only.*

STOCK CODE	OEM CODE	BRAND	MODEL	YEAR	GROUP NAME	STATUS	BARCODE	BOX	PARCEL
21589	5A0198037A /5Q0199867 /5Q0199868	AUDI	A3 (8V1,8VK)	04/2012-->	ENGINE MOUNTING	CENTER	8698984215897	1	6



Sen yane bilizimden sasma *Orjin al.*



www.orjinautomotive.com



21590



*The brand names are reference purpose only.*

STOCK CODE	OEM CODE	BRAND	MODEL	YEAR	GROUP NAME	STATUS	BARCODE	BOX	PARCEL
21590	31356753928 /31356761591	BMW	5-SERIE (E60)	07/2003 - 03/2010	BUSHING	CENTER	8698984215903	1	6



Sen yane bilâğizimden sasma *Orjin al.*



www.orjinautomotive.com





21591



*The brand names are reference purpose only.*

STOCK CODE	OEM CODE	BRAND	MODEL	YEAR	GROUP NAME	STATUS	BARCODE	BOX	PARCEL
21591	31351094555	BMW	3-SERIE (E46)	02/1998 - 12/2004	BUSHING	CENTER	8698984215910	1	6





21592

*The brand names are reference purpose only.*

STOCK CODE	OEM CODE	BRAND	MODEL	YEAR	GROUP NAME	STATUS	BARCODE	BOX	PARCEL
21592	22116768853	BMW	1-SERIES(E81-E82-E87-E88)	11/2003 - 09/2012	BUSHING	CENTER	8698984215927	1	6



Sen yine biletizimden sasma *Orjin* al.



www.orjinautomotive.com



21593

*The brand names are reference purpose only.*

STOCK CODE	OEM CODE	BRAND	MODEL	YEAR	GROUP NAME	STATUS	BARCODE	BOX	PARCEL
21593	5131000000000	CITROEN	C3 PICASSO	02/2009-->	BUSHING	CENTER	8698984215934	1	6



*Sen yine biletizimden sasma Orjin al.*



www.orjinautomotive.com



21594

*The brand names are reference purpose only.*

STOCK CODE	OEM CODE	BRAND	MODEL	YEAR	GROUP NAME	STATUS	BARCODE	BOX	PARCEL
21594	516685	CITROEN	JUMPY	06/1994 - 01/2007	ENGINE MOUNTING	CENTER	8698984215941	1	6



*Sen yine biletizimden sasma Orjin al.*



www.orjinautomotive.com



21595



*The brand names are reference only.*

STOCK CODE	OEM CODE	BRAND	MODEL	YEAR	GROUP NAME	STATUS	BARCODE	BOX	PARCEL
21595	7201723 /7M0505222B /95VW5K817D	FORD	GALAXY (WGR)	05/1995 - 04/2006	BUSHING	CENTER	8698984215958	1	6
21595	7201723 /7M0505222B /95VW5K817D	SEAT	ALHAMBRA (7V8, 7V9)	04/1996 - 03/2010	BUSHING	CENTER	8698984215958	1	6



Sen yane biletizimden sasma *Orjin al.*



www.orjinautomotive.com



21596

*The brand names are reference purpose only.*

STOCK CODE	OEM CODE	BRAND	MODEL	YEAR	GROUP NAME	STATUS	BARCODE	BOX	PARCEL
21596	50380000000	PEUGEOT	207 (WA_WC_)	05/2006-->	ENGINE MOUNTING	CENTER	8698984215965	1	6





21597



*The brand names are reference purpose only.*

STOCK CODE	OEM CODE	BRAND	MODEL	YEAR	GROUP NAME	STATUS	BARCODE	BOX	PARCEL
21597	503196	CITROEN	C3 I (FC_)	05/2002 - 04/2014	SUSPENSION SET	CENTER	8698984215972	1	6



*Sen yane bilatizimden sasma Orjin al.*



www.orjinautomotive.com



21598

*The brand names are reference purpose only.*

STOCK CODE	OEM CODE	BRAND	MODEL	YEAR	GROUP NAME	STATUS	BARCODE	BOX	PARCEL
21598	51983626	FIAT	EGEA HATCHBACK (356_)	03/2016-->	SHOCK ABSORBER MOUNTING	CENTER	8698984215989	1	6



Sen yine biletizimden sasma *Orjin* al.



www.orjinautomotive.com





21599

*The brand names are reference purpose only.*

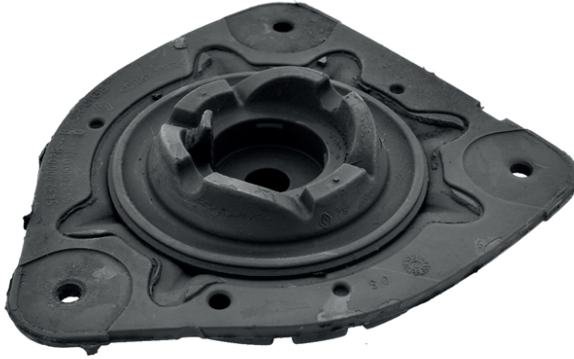
STOCK CODE	OEM CODE	BRAND	MODEL	YEAR	GROUP NAME	STATUS	BARCODE	BOX	PARCEL
21599	9800479780	CITROEN	C4 GRAND PICASSO II	09/2013-->	SUSPENSION SET	CENTER	8698984215996	1	6



*Sen yine bilginizden sasma Orjin al.*



www.orjinautomotive.com



21600

*The brand names are reference purpose only.*

STOCK CODE	OEM CODE	BRAND	MODEL	YEAR	GROUP NAME	STATUS	BARCODE	BOX	PARCEL
21600	543200002R	RENAULT	LAGUNA III (BT0/1,KT0/1)	10/2007-->	SHOCK ABSORBER MOUNTING	CENTER	8698984216009	1	6



*Sen yane bilatizimden sasma Orjin al.*



www.orjinautomotive.com



21601

*The brand names are reference purpose only.*

STOCK CODE	OEM CODE	BRAND	MODEL	YEAR	GROUP NAME	STATUS	BARCODE	BOX	PARCEL
21601	7700424481 /7701207350 /7701207537 /7701208419	RENAULT	LAGUNA II GRANDTOUR (KT0/	03/2001 - 12/2007	SUSPENSION SET	CENTER	8698984216016	1	6



Sen yane bilâğizimden sasma *Orjin* al.



www.orjinautomotive.com



21602



*The brand names are reference purpose only.*

STOCK CODE	OEM CODE	BRAND	MODEL	YEAR	GROUP NAME	STATUS	BARCODE	BOX	PARCEL
21602	4041489 / YC155484AC	FORD	TRANSIT FURGANOTA (FA_...)	2000-2006	BUSHING	CENTER	8698984216023	1	6





21603

*The brand names are reference purpose only.*

STOCK CODE	OEM CODE	BRAND	MODEL	YEAR	GROUP NAME	STATUS	BARCODE	BOX	PARCEL
21603	543258271R	NISSAN	QASHQAI (J10E)	02/2007 - 12/2013	SHOCK ABSORBER MOUNTING	CENTER	8698984216030	1	6
21603	543258271R	RENAULT	KADJAR	03/2014-->	SHOCK ABSORBER MOUNTING	CENTER	8698984216030	1	6
21603	543258271R	RENAULT	MEGANE IV (B9A/M_)	11/2015-->	SHOCK ABSORBER MOUNTING	CENTER	8698984216030	1	6
21603	543258271R	RENAULT	SCENIC IV (JFA)	09/2016-->	SHOCK ABSORBER MOUNTING	CENTER	8698984216030	1	6
21603	543258271R	RENAULT	TALISMAN (XFD)	10/2015-->	SHOCK ABSORBER MOUNTING	CENTER	8698984216030	1	6



Sen yane bilizizinden sasma *Orjin* al.





21604

*The brand names are reference purpose only.*

STOCK CODE	OEM CODE	BRAND	MODEL	YEAR	GROUP NAME	STATUS	BARCODE	BOX	PARCEL
21604	1693200073 /169320007328	MERCEDES	A-CLASS (W169)	01/2004 - 06/2012	SHOCK ABSORBER MOUNTING	CENTER	8698984216047	1	6
21604	1693200073 /169320007328	MERCEDES	B-CLASS (W245)	03/2005 - 11/2011	SHOCK ABSORBER MOUNTING	CENTER	8698984216047	1	6



Sen yane bilizimden sasma *Orjin al.*



www.orjinautomotive.com



*The brand names are reference purpose only.*

STOCK CODE	OEM CODE	BRAND	MODEL	YEAR	GROUP NAME	STATUS	BARCODE	BOX	PARCEL
21605	4G0512131F /4G0512131G /8K0512131 /8K0512131H	SEAT	ALTEA (5P1)	03/2004 - 09/2015	ENGINE MOUNTING	CENTER	8698984216054	1	6
21605	4G0512131F /4G0512131G /8K0512131 /8K0512131H	SKODA	OCTAVIA (1Z3)	02/2004 - 03/2013	ENGINE MOUNTING	CENTER	8698984216054	1	6
21605	4G0512131F /4G0512131G /8K0512131 /8K0512131H	VOLKSWAGEN	GOLF VI (5K1)	10/2008 - 11/2013	ENGINE MOUNTING	CENTER	8698984216054	1	6



*Sen yene bilginizden sasma Orjin al.*



www.orjinautomotive.com



*The brand names are reference purpose only.*

STOCK CODE	OEM CODE	BRAND	MODEL	YEAR	GROUP NAME	STATUS	BARCODE	BOX	PARCEL
21606	6608818	FORD	TRANSIT AUTOBUS (E_)	1997-2000	BUSHING	CENTER	8698984216061	1	6







21607



*The brand names are reference purpose only.*

STOCK CODE	OEM CODE	BRAND	MODEL	YEAR	GROUP NAME	STATUS	BARCODE	BOX	PARCEL
21607	1749786 /4055743	FORD	TRANSIT AUTOBUS FD_FB_FS_	2000-2006	BUSHING	CENTER	8698984216078	1	6



Sen yane bilatizimden sasma *Orjin al.*



www.orjinautomotive.com



21608

*The brand names are reference purpose only.*

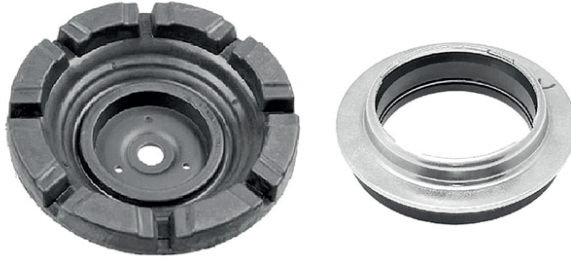
STOCK CODE	OEM CODE	BRAND	MODEL	YEAR	GROUP NAME	STATUS	BARCODE	BOX	PARCEL
21608	1343056 /4M516F012DC	FORD	C-MAX I (CB3, DM2)	02/2007 - 09/2010	ENGINE MOUNTING	CENTER	8698984216085	1	6



Sen yane biletizimden sasma *Orjin* al.



www.orjinautomotive.com



21609



*The brand names are reference purpose only.*

STOCK CODE	OEM CODE	BRAND	MODEL	YEAR	GROUP NAME	STATUS	BARCODE	BOX	PARCEL
21609	7E0412249	VOLKSWAGEN	TRANSPORTER V(7H_7J_7E)	04/2003 - 08/2015	SUSPENSION SET	CENTER	8698984216092	1	6



Sen yane biletizimden sasma *Orjin al.*



www.orjinautomotive.com



21610

*The brand names are reference purpose only.*

STOCK CODE	OEM CODE	BRAND	MODEL	YEAR	GROUP NAME	STATUS	BARCODE	BOX	PARCEL
21610	180944	CITROEN	C41 (LC_)	11/2004 - 07/2011	ENGINE MOUNTING	CENTER	8698984216108	1	6





21611

*The brand names are reference purpose only.*

STOCK CODE	OEM CODE	BRAND	MODEL	YEAR	GROUP NAME	STATUS	BARCODE	BOX	PARCEL
21611	9676771080	CITROEN	C3 II (A51)	11/2009-->	ENGINE MOUNTING	CENTER	8698984216115	1	6



*Sen yane bilâğizimden sasma Orjin al.*



www.orjinautomotive.com



21612

*The brand names are reference purpose only.*

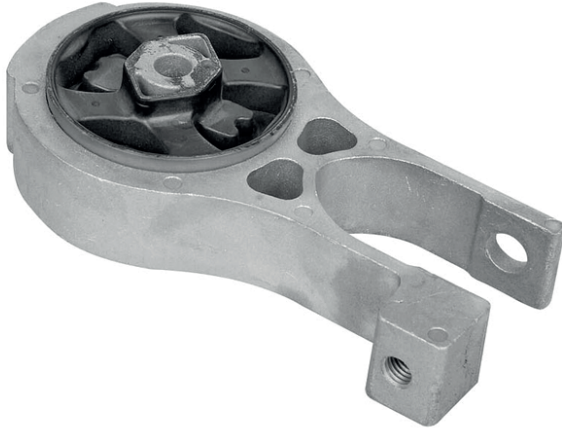
STOCK CODE	OEM CODE	BRAND	MODEL	YEAR	GROUP NAME	STATUS	BARCODE	BOX	PARCEL
21612	1839J9	CITROEN	C5 AIRCROSS (C84)	11/2018-->	ENGINE MOUNTING	CENTER	8698984216122	1	6
21612	1839J9	CITROEN	C8	07/2002-->	ENGINE MOUNTING	CENTER	8698984216122	1	6
21612	1839J9	CITROEN	JUMPY	06/1994 - 01/2007	ENGINE MOUNTING	CENTER	8698984216122	1	6
21612	1839J9	FIAT	SCUDO (222)	02/1996 - 11/2006	ENGINE MOUNTING	CENTER	8698984216122	1	6
21612	1839J9	PEUGEOT	407	05/2004 - 12/2010	ENGINE MOUNTING	CENTER	8698984216122	1	6
21612	1839J9	PEUGEOT	508	11/2010-->	ENGINE MOUNTING	CENTER	8698984216122	1	6
21612	1839J9	PEUGEOT	807	06/2002-->	ENGINE MOUNTING	CENTER	8698984216122	1	6
21612	1839J9	PEUGEOT	EXPERT	07/1995 - 12/2006	ENGINE MOUNTING	CENTER	8698984216122	1	6



Sen yane biletizimden sasma *Orjin* al.



www.orjinautomotive.com



21613

*The brand names are reference purpose only.*

STOCK CODE	OEM CODE	BRAND	MODEL	YEAR	GROUP NAME	STATUS	BARCODE	BOX	PARCEL
21613	9683028080	CITROEN	C8 (EA_, EB_)	03/2006-->	ENGINE MOUNTING	CENTER	8698984216139	1	6





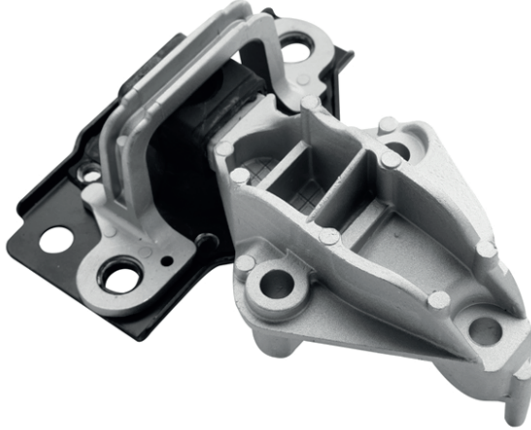
21614

*The brand names are reference purpose only.*

STOCK CODE	OEM CODE	BRAND	MODEL	YEAR	GROUP NAME	STATUS	BARCODE	BOX	PARCEL
21614	9677258480	CITROEN	DS4 CROSSBACK (DS)	07/2015-->	ENGINE MOUNTING	CENTER	8698984216146	1	6







21615

*The brand names are reference purpose only.*

STOCK CODE	OEM CODE	BRAND	MODEL	YEAR	GROUP NAME	STATUS	BARCODE	BOX	PARCEL
21615	8200325283 /8200902956	RENAULT	FLUENCE	02/2010-->	ENGINE MOUNTING	CENTER	8698984216153	1	6
21615	8200325283 /8200902956	RENAULT	KANGOO II BE BOP (KW0/1_)	02/2009 - 01/2012	ENGINE MOUNTING	CENTER	8698984216153	1	6
21615	8200325283 /8200902956	RENAULT	MEGANE II	10/2003-->	ENGINE MOUNTING	CENTER	8698984216153	1	6



Sen yane bilâğizimden sasma *Orjin al.*



www.orjinautomotive.com



21616

*The brand names are reference purpose only.*

STOCK CODE	OEM CODE	BRAND	MODEL	YEAR	GROUP NAME	STATUS	BARCODE	BOX	PARCEL
21616	112380005R	RENAULT	FLUENCE	02/2010-->	ENGINE MOUNTING	CENTER	8698984216160	1	6
21616	112380005R	RENAULT	MEGANE I 1.9DCI	02/2001 - 08/2003	ENGINE MOUNTING	CENTER	8698984216160	1	6
21616	112380005R	RENAULT	MEGANE III (BZ,_DZ,_KZ_)	11/2008-->	ENGINE MOUNTING	CENTER	8698984216160	1	6



Sen yane biletizimden sasma *Orjin* al.



www.orjinautomotive.com



21617

*The brand names are reference purpose only.*

STOCK CODE	OEM CODE	BRAND	MODEL	YEAR	GROUP NAME	STATUS	BARCODE	BOX	PARCEL
21617	1430067 /1568052 /1677276	FORD	C-MAX II (CB7, CEU, UAV)	12/2010-->	ENGINE MOUNTING	CENTER	8698984216177	1	6



Sen yine biletizimden sasma *Orjin al.*



www.orjinautomotive.com



21618

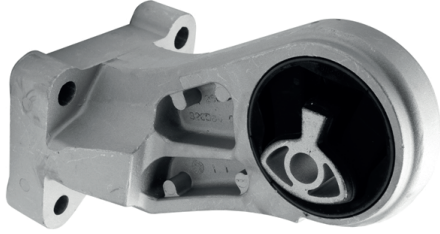
*The brand names are reference purpose only.*

STOCK CODE	OEM CODE	BRAND	MODEL	YEAR	GROUP NAME	STATUS	BARCODE	BOX	PARCEL
21618	112380008R	RENAULT	MEGANE I 1.4E (BA0E,BA0V)	01/1996 - 08/2003	ENGINE MOUNTING	CENTER	8698984216184	1	6
21618	112380008R	RENAULT	MEGANE I 2.0i (BA0G)	01/1996 - 03/1999	ENGINE MOUNTING	CENTER	8698984216184	1	6
21618	112380008R	RENAULT	MEGANE III (BZ_,DZ_,KZ_)	11/2008-->	ENGINE MOUNTING	CENTER	8698984216184	1	6
21618	112380008R	RENAULT	SCENIC III	02/2009-->	ENGINE MOUNTING	CENTER	8698984216184	1	6

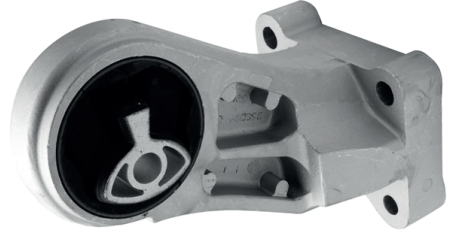


*Sen yine biletizimden sasma Orjin al.*





21619



21620



*The brand names are reference purpose only.*

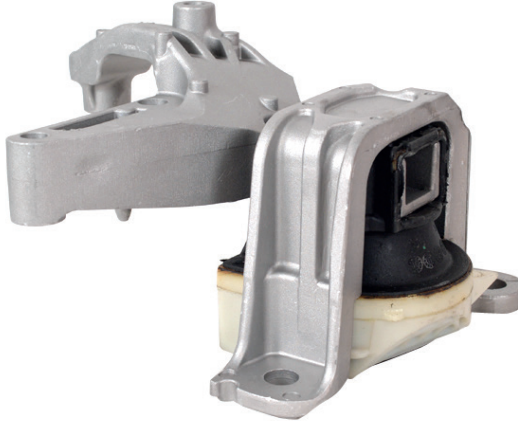
STOCK CODE	OEM CODE	BRAND	MODEL	YEAR	GROUP NAME	STATUS	BARCODE	BOX	PARCEL
21619	113757025R /4420871 /93168599	OPEL	MOVANO B	05/2010-->	ENGINE MOUNTING- (RH)	RIGHT	8698984216191	1	6
21619	113757025R /4420871 /93168599	RENAULT	MASTER III	02/2010-->	ENGINE MOUNTING- (RH)	RIGHT	8698984216191	1	6
21620	112214498R /4420870 /93168598	OPEL	MOVANO B	05/2010-->	ENGINE MOUNTING- (LH)	LEFT	8698984216207	1	6
21620	112214498R /4420870 /93168598	RENAULT	MASTER III	02/2010-->	ENGINE MOUNTING- (LH)	LEFT	8698984216207	1	6



Sen yane biletizimden sasma *Orjin* al.



www.orjinautomotive.com



21621

*The brand names are reference only.*

STOCK CODE	OEM CODE	BRAND	MODEL	YEAR	GROUP NAME	STATUS	BARCODE	BOX	PARCEL
21621	112108807R	RENAULT	MEGANE III (BZ_DZ_KZ_)	11/2008-->	ENGINE MOUNTING	CENTER	8698984216214	1	6
21621	112108807R	RENAULT	SCENIC III	02/2009-->	ENGINE MOUNTING	CENTER	8698984216214	1	6



Sen yane bilatizimden sasma *Orjin al.*



www.orjinautomotive.com



21622

*The brand names are reference only.*

STOCK CODE	OEM CODE	BRAND	MODEL	YEAR	GROUP NAME	STATUS	BARCODE	BOX	PARCEL
21622	112106387R	RENAULT	MEGANE III (BZ_DZ_KZ_)	11/2008-->	ENGINE MOUNTING	CENTER	8698984216221	1	6
21622	112106387R	RENAULT	SCENIC III	02/2009-->	ENGINE MOUNTING	CENTER	8698984216221	1	6



Sen yane bilizizinden sasma *Orjin al.*





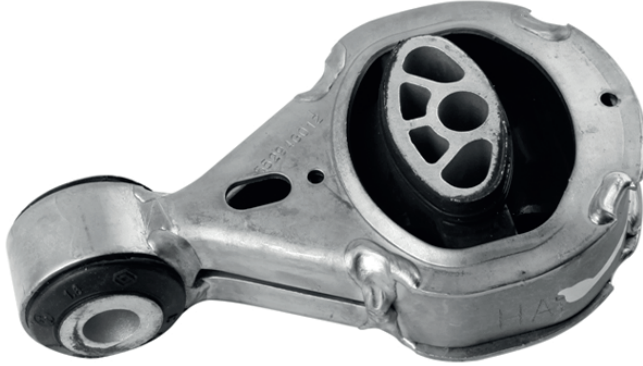
21623

*The brand names are reference purpose only.*

STOCK CODE	OEM CODE	BRAND	MODEL	YEAR	GROUP NAME	STATUS	BARCODE	BOX	PARCEL
21623	112381550R	DACIA	LOGAN	09/2004-->	ENGINE MOUNTING	CENTER	8698984216238	1	6







21624

*The brand names are reference only.*

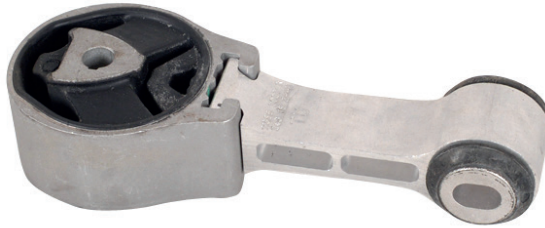
STOCK CODE	OEM CODE	BRAND	MODEL	YEAR	GROUP NAME	STATUS	BARCODE	BOX	PARCEL
21624	11238776R	RENAULT	MEGANE III (BZ_DZ_KZ_)	11/2008-->	ENGINE MOUNTING	CENTER	8698984216245	1	6
21624	11238776R	RENAULT	SCENIC III	02/2009-->	ENGINE MOUNTING	CENTER	8698984216245	1	6



Sen yane biletizimden sasma **Orjin** al.



www.orjinautomotive.com



21625



*The brand names are reference purpose only.*

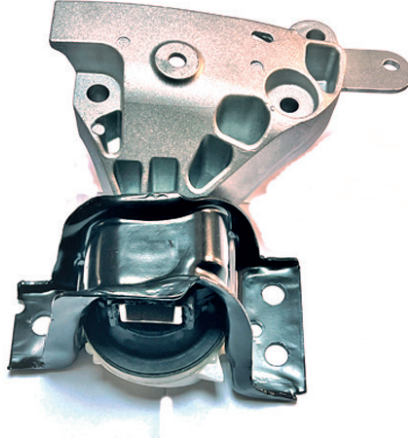
STOCK CODE	OEM CODE	BRAND	MODEL	YEAR	GROUP NAME	STATUS	BARCODE	BOX	PARCEL
21625	113560007R	RENAULT	FLUENCE	02/2010-->	ENGINE MOUNTING	CENTER	8698984216252	1	6
21625	113560007R	RENAULT	MEGANE III (BZ_DZ_KZ_)	11/2008-->	ENGINE MOUNTING	CENTER	8698984216252	1	6
21625	113560007R	RENAULT	SCENIC III	02/2009-->	ENGINE MOUNTING	CENTER	8698984216252	1	6



*Sen yane biletizimden sasma Orjin al.*



www.orjinautomotive.com



21626

*The brand names are reference purpose only.*

STOCK CODE	OEM CODE	BRAND	MODEL	YEAR	GROUP NAME	STATUS	BARCODE	BOX	PARCEL
21626	112100071R	DACIA	DUSTER (4X4)	10/2010 - 01/2018	ENGINE MOUNTING	CENTER	8698984216269	1	6





21627



*The brand names are reference purpose only.*

STOCK CODE	OEM CODE	BRAND	MODEL	YEAR	GROUP NAME	STATUS	BARCODE	BOX	PARCEL
21627	8581021	IVECO	DAILY I	1985-1989	CLUTCH REPAIR KIT Ø18 MM	CENTER	8698984216276	1	6



*Sen yare bilâğizinden sasma Orjin al.*



www.orjinautomotive.com



21628



*The brand names are reference purpose only.*

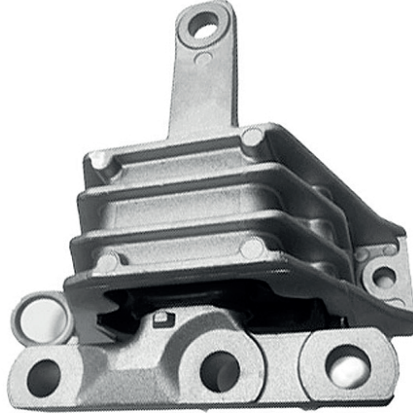
STOCK CODE	OEM CODE	BRAND	MODEL	YEAR	GROUP NAME	STATUS	BARCODE	BOX	PARCEL
21628	93801556	IVECO	DAILY I	1985-1989	CLUTCH REPAIR KIT Ø22 MM	CENTER	8698984216283	1	6



*Sen yane bilatijimden sasma Orjin al.*



www.orjinautomotive.com



21629

*The brand names are reference purpose only.*

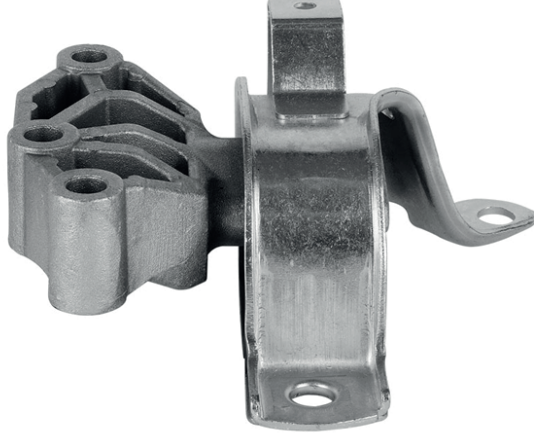
STOCK CODE	OEM CODE	BRAND	MODEL	YEAR	GROUP NAME	STATUS	BARCODE	BOX	PARCEL
21629	13248472 /13347453 /22744337 /684313 /684322	OPEL	ASTRA J	12/2009 - 10/2015	ENGINE MOUNTING	CENTER	8698984216290	1	6



Sen yane bilâğizimden sasma *Orjin* al.



www.orjinautomotive.com



21630

*The brand names are reference purpose only.*

STOCK CODE	OEM CODE	BRAND	MODEL	YEAR	GROUP NAME	STATUS	BARCODE	BOX	PARCEL
21630	51730868	FIAT	PANDA (169)	09/2003-->	ENGINE MOUNTING	CENTER	8698984216306	1	6



*Sen yane bilatizimden sasma Orjin al.*



www.orjinautomotive.com



21631

*The brand names are reference purpose only.*

STOCK CODE	OEM CODE	BRAND	MODEL	YEAR	GROUP NAME	STATUS	BARCODE	BOX	PARCEL
21631	51794985	FIAT	FIORINO	10/1977 - 12/1987	ENGINE MOUNTING	CENTER	8698984216313	1	6
21631	51794985	FIAT	GRANDE PUNTO (199)	10/2005-->	ENGINE MOUNTING	CENTER	8698984216313	1	6
21631	51794985	FIAT	LINEA (110)	06/2007-->	ENGINE MOUNTING	CENTER	8698984216313	1	6
21631	51794985	FIAT	PUNTO EVO (199)	10/2009 - 02/2012	ENGINE MOUNTING	CENTER	8698984216313	1	6



Sen yane bilâğizimden sasma *Orjin al.*



www.orjinautomotive.com





21632

*The brand names are reference purpose only.*

STOCK CODE	OEM CODE	BRAND	MODEL	YEAR	GROUP NAME	STATUS	BARCODE	BOX	PARCEL
21632	52026842	FIAT	EGEA	03/2016-->	ENGINE MOUNTING	CENTER	8698984216320	1	6



*Sen yine biletizimden sasma Orjin al.*



www.orjinautomotive.com



21633

*The brand names are reference purpose only.*

STOCK CODE	OEM CODE	BRAND	MODEL	YEAR	GROUP NAME	STATUS	BARCODE	BOX	PARCEL
21633	52010881	FIAT	EGEA	03/2016-->	ENGINE MOUNTING	CENTER	8698984216337	1	6



Sen yine biletizimden sasma *Orjin al.*



www.orjinautomotive.com



21634



*The brand names are reference purpose only.*

STOCK CODE	OEM CODE	BRAND	MODEL	YEAR	GROUP NAME	STATUS	BARCODE	BOX	PARCEL
21634	52023348	FIAT	EGEA	03/2016-->	GEARBOX MOUNTING	CENTER	8698984216344	1	6



*Sen yine biletizimden sasma Orjin al.*



www.orjinautomotive.com



21635



*The brand names are reference purpose only.*

STOCK CODE	OEM CODE	BRAND	MODEL	YEAR	GROUP NAME	STATUS	BARCODE	BOX	PARCEL
21635	52026839	FIAT	EGEA	03/2016-->	GEARBOX MOUNTING	CENTER	8698984216351	1	6



*Sen yine biletizimden sasma Orjin al.*



www.orjinautomotive.com



21636

*The brand names are reference purpose only.*

STOCK CODE	OEM CODE	BRAND	MODEL	YEAR	GROUP NAME	STATUS	BARCODE	BOX	PARCEL
21636	93802629	IVECO	DAILY I	1985-1989	CLUTCH REPAIR KIT Ø20 MM	CENTER	8698984216368	1	6



Sen yane bilatirjiden sasma *Orjin* al.



www.orjinautomotive.com



21637

*The brand names are reference purpose only.*

STOCK CODE	OEM CODE	BRAND	MODEL	YEAR	GROUP NAME	STATUS	BARCODE	BOX	PARCEL
21637	93803961	IVECO	DAILY I	1985-1989	CLUTCH REPAIR KIT Ø16 MM	CENTER	8698984216375	1	6





21638

*The brand names are reference purpose only.*



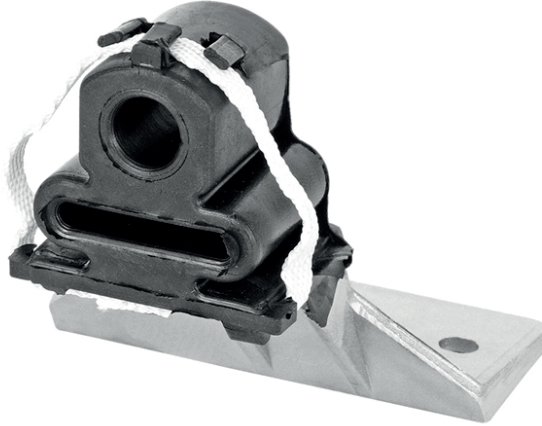
STOCK CODE	OEM CODE	BRAND	MODEL	YEAR	GROUP NAME	STATUS	BARCODE	BOX	PARCEL
21638	8560291	IVECO	DAILY II BOX	05/1999-->	CLUTCH REPAIR KIT Ø28 MM	CENTER	8698984216382	1	6
21638	8560291	IVECO	DAILY III	05/1999 - 04/2006	CLUTCH REPAIR KIT Ø28 MM	CENTER	8698984216382	1	6



*Sen yane biletizimden sasma Orjin ol.*



www.orjinautomotive.com



21639

*The brand names are reference purpose only.*

STOCK CODE	OEM CODE	BRAND	MODEL	YEAR	GROUP NAME	STATUS	BARCODE	BOX	PARCEL
21639	1755N3	CITROEN	C4 PICASSO (UD_)	02/2007 - 08/2013	ENGINE MOUNTING	CENTER	8698984216399	1	6



Sen yene bildiğinden sasma *Orjin al.*



www.orjinautomotive.com





21640



*The brand names are reference purpose only.*

STOCK CODE	OEM CODE	BRAND	MODEL	YEAR	GROUP NAME	STATUS	BARCODE	BOX	PARCEL
21640	7700748646	RENAULT	TRAFIC I	1980-1998	ENGINE MOUNTING	CENTER	8698984216405	1	6



Sen yane bilâğizimden sasma *Orjin al.*



www.orjinautomotive.com



21641

*The brand names are reference purpose only.*

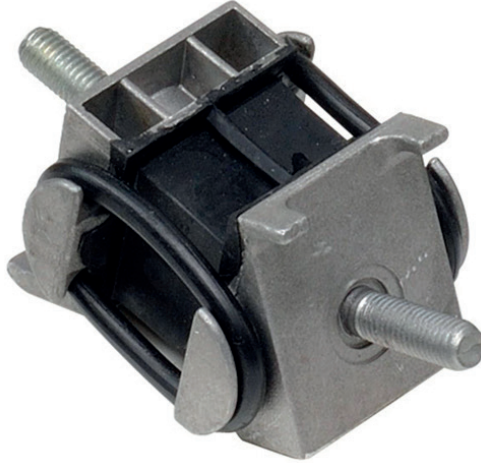
STOCK CODE	OEM CODE	BRAND	MODEL	YEAR	GROUP NAME	STATUS	BARCODE	BOX	PARCEL
21641	7700757691	RENAULT	R21 MENAGER	03/1986 - 08/1994	SHOCK ABSORBER MOUNTING	CENTER	8698984216412	1	6



Sen yane biletizimden sasma *Orjin al.*



www.orjinautomotive.com



21642

*The brand names are reference purpose only.*

STOCK CODE	OEM CODE	BRAND	MODEL	YEAR	GROUP NAME	STATUS	BARCODE	BOX	PARCEL
21642	7700766126	RENAULT	R21 CONCORDE	1991-1996	GEARBOX MOUNTING	CENTER	8698984216429	1	6

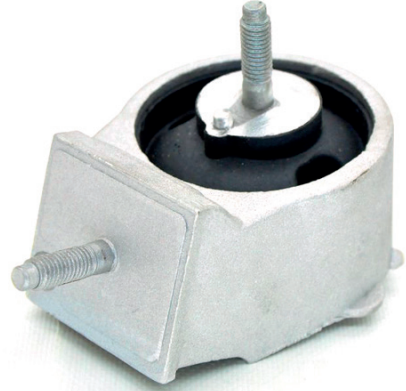


Sen yane biletizimden sasma *Orjin* al.





21643



21644

*The brand names are reference purpose only.*

STOCK CODE	OEM CODE	BRAND	MODEL	YEAR	GROUP NAME	STATUS	BARCODE	BOX	PARCEL
21643	7700769719	RENAULT	R21 CONCORDE	1991-1996	ENGINE MOUNTING-(LH)	LEFT	8698984216436	1	6
21644	7700769720	RENAULT	R21 CONCORDE	1993-1996	ENGINE MOUNTING-(RH)	RIGHT	8698984216443	1	6





21645

*The brand names are reference purpose only.*

STOCK CODE	OEM CODE	BRAND	MODEL	YEAR	GROUP NAME	STATUS	BARCODE	BOX	PARCEL
21645	7700754515	RENAULT	R21 CONCORDE	1993-1996	BUSHING	CENTER	8698984216450	1	6



Sen yane bilâğizimden sasma *Orjin al.*



www.orjinautomotive.com



*The brand names are reference purpose only.*



STOCK CODE	OEM CODE	BRAND	MODEL	YEAR	GROUP NAME	STATUS	BARCODE	BOX	PARCEL
21646	7700781463	RENAULT	ESPACE I (J11_)	07/1984 - 12/1992	BUSHING	CENTER	8698984216467	1	6





21647

*The brand names are reference purpose only.*

STOCK CODE	OEM CODE	BRAND	MODEL	YEAR	GROUP NAME	STATUS	BARCODE	BOX	PARCEL
21647	7700774026	RENAULT	R21 CONCORDE	1993-1996	CLUTCH REPAIR KIT	CENTER	8698984216474	1	6



*Sen yene biletiğinden sonra Orjin al.*



www.orjinautomotive.com



21648

*The brand names are reference purpose only.*

STOCK CODE	OEM CODE	BRAND	MODEL	YEAR	GROUP NAME	STATUS	BARCODE	BOX	PARCEL
21648	7700760264	RENAULT	R9 (L42_)	09/1981 - 12/1989	BUSHING	CENTER	8698984216481	1	6



Sen yane bilatizimden sasma *Orjin* al.



www.orjinautomotive.com





21649

*The brand names are reference purpose only.*

STOCK CODE	OEM CODE	BRAND	MODEL	YEAR	GROUP NAME	STATUS	BARCODE	BOX	PARCEL
21649	7700309154	RENAULT	MASTER I	08/1980 - 07/1998	BUSHING	CENTER	8698984216498	1	6



Sen yane bilâğizimden sasma *Orjin al.*



www.orjinautomotive.com



*The brand names are reference purpose only.*

STOCK CODE	OEM CODE	BRAND	MODEL	YEAR	GROUP NAME	STATUS	BARCODE	BOX	PARCEL
21650	7700826216	RENAULT	LAGUNA I (B56_, 556_)	11/1993 - 03/2001	BUSHING	CENTER	8698984216504	1	6





21651

*The brand names are reference purpose only.*

STOCK CODE	OEM CODE	BRAND	MODEL	YEAR	GROUP NAME	STATUS	BARCODE	BOX	PARCEL
21651	7700827436	RENAULT	CLIO 1 (B/C57, 5/357_)	05/1990 - 09/1998	SHOCK ABSORBER MOUNTING	CENTER	8698984216511	1	6



*Sen yane bilatizimden sasma Orjin al.*



www.orjinautomotive.com



21652

*The brand names are reference purpose only.*

STOCK CODE	OEM CODE	BRAND	MODEL	YEAR	GROUP NAME	STATUS	BARCODE	BOX	PARCEL
21652	8200002877	RENAULT	LAGUNA II (BG0_, BG1_)	03/2001 - 10/2007	SHOCK ABSORBER MOUNTING	CENTER	8698984216528	1	6



Sen yane bilatizimden sasma *Orjin al.*



www.orjinautomotive.com



21653

*The brand names are reference purpose only.*

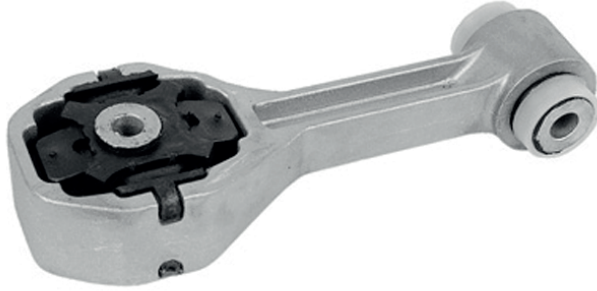
STOCK CODE	OEM CODE	BRAND	MODEL	YEAR	GROUP NAME	STATUS	BARCODE	BOX	PARCEL
21653	7700422529	RENAULT	LAGUNA I (B56_, 556_)	11/1993 - 03/2001	ENGINE MOUNTING	CENTER	8698984216535	1	6



Sen yine biletizimden sasma *Orjin* al.



www.orjinautomotive.com



21654

*The brand names are reference purpose only.*

STOCK CODE	OEM CODE	BRAND	MODEL	YEAR	GROUP NAME	STATUS	BARCODE	BOX	PARCEL
21654	7700817782	RENAULT	LAGUNA II GRANDTOUR (KT0/	03/2001 - 12/2007	ENGINE MOUNTING	CENTER	8698984216542	1	6



*Sen yine biletizimden sasma Orjin al.*



www.orjinautomotive.com



21655

*The brand names are reference purpose only.*

STOCK CODE	OEM CODE	BRAND	MODEL	YEAR	GROUP NAME	STATUS	BARCODE	BOX	PARCEL
21655	8200042594	RENAULT	CLIO II (B/C/B0/1_ CB0/1	03/1998 - 12/2012	BUSHING	CENTER	8698984216559	1	6





21656

*The brand names are reference purpose only.*

STOCK CODE	OEM CODE	BRAND	MODEL	YEAR	GROUP NAME	STATUS	BARCODE	BOX	PARCEL
21656	7700302152 /8200024454	RENAULT	MASTER II	07/1998 - 03/2010	BUSHING	CENTER	8698984216566	1	6



Sen yane biletizimden sasma *Orjin* al.



www.orjinautomotive.com





21657



*The brand names are reference purpose only.*

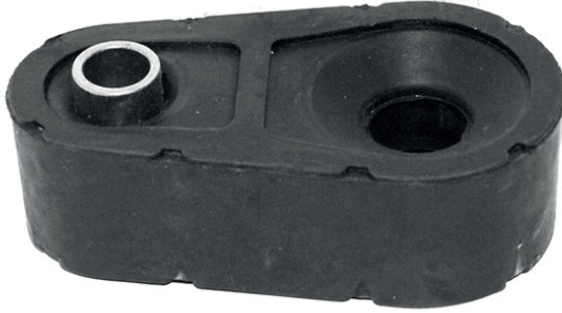
STOCK CODE	OEM CODE	BRAND	MODEL	YEAR	GROUP NAME	STATUS	BARCODE	BOX	PARCEL
21657	7700821167	RENAULT	ESPACE II (J/S63_)	01/1991 - 12/1996	BUSHING	CENTER	8698984216573	1	6



Sen yane bilatizimden sasma *Orjin al.*



www.orjinautomotive.com



21658

*The brand names are reference purpose only.*

STOCK CODE	OEM CODE	BRAND	MODEL	YEAR	GROUP NAME	STATUS	BARCODE	BOX	PARCEL
21658	7700302278	RENAULT	MASTER II	07/1998 - 03/2010	ENGINE MOUNTING	CENTER	8698984216580	1	6



*Sen yine biletizimden sasma Orjin al.*



www.orjinautomotive.com



21659

*The brand names are reference purpose only.*

STOCK CODE	OEM CODE	BRAND	MODEL	YEAR	GROUP NAME	STATUS	BARCODE	BOX	PARCEL
21659	8200039132 /8200431675	RENAULT	TRAFIC II	04/2001 - 04/2014	ENGINE MOUNTING	CENTER	8698984216597	1	6



Sen yane bilizimden sasma *Orjin al.*



www.orjinautomotive.com



21660

*The brand names are reference purpose only.*

STOCK CODE	OEM CODE	BRAND	MODEL	YEAR	GROUP NAME	STATUS	BARCODE	BOX	PARCEL
21660	2033260381	MERCEDES	C-CLASS (S203)	03/2001 - 07/2007	CLUTCH REPAIR KIT Ø13 MM	CENTER	8698984216603	1	6



Sen yane bilâğizimden sasma *Orjin* al.



www.orjinautomotive.com



21661

*The brand names are reference purpose only.*

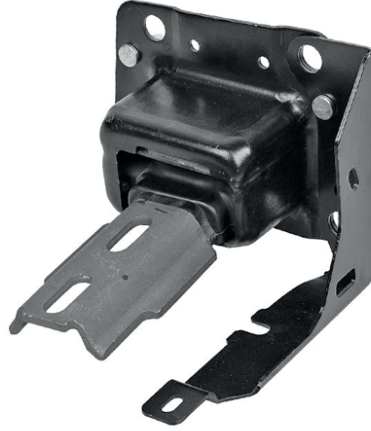
STOCK CODE	OEM CODE	BRAND	MODEL	YEAR	GROUP NAME	STATUS	BARCODE	BOX	PARCEL
21661	2033260281	MERCEDES	C-CLASS (S203)	03/2001 - 07/2007	CLUTCH REPAIR KIT Ø14 MM	CENTER	8698984216610	1	6



Sen yane bilâğizimden sasma *Orjin* al.



www.orjinautomotive.com

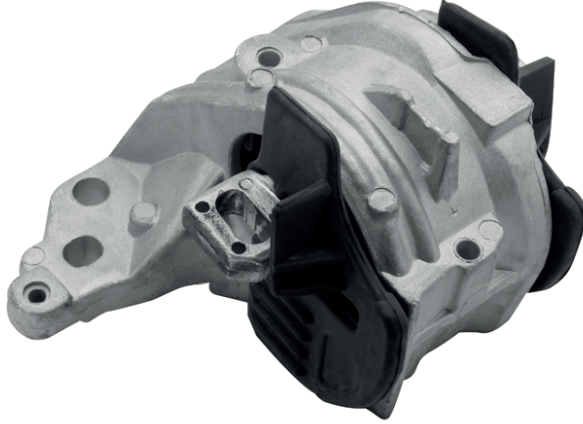


21662

*The brand names are reference purpose only.*

STOCK CODE	OEM CODE	BRAND	MODEL	YEAR	GROUP NAME	STATUS	BARCODE	BOX	PARCEL
21662	181392	CITROEN	C3 Pluriel (HB_)	05/2003 - 07/2010	ENGINE MOUNTING	CENTER	8698984216627	1	6





21663

*The brand names are reference purpose only.*

STOCK CODE	OEM CODE	BRAND	MODEL	YEAR	GROUP NAME	STATUS	BARCODE	BOX	PARCEL
21663	181398	CITROEN	C5	03/2001 - 08/2004	ENGINE MOUNTING	CENTER	8698984216634	1	6



*Sen yine biletizimden sasma Orjin al.*



www.orjinautomotive.com



21664

*The brand names are reference purpose only.*

STOCK CODE	OEM CODE	BRAND	MODEL	YEAR	GROUP NAME	STATUS	BARCODE	BOX	PARCEL
21664	2033260181	MERCEDES	C-CLASS (W203)	03/2001 - 07/2007	CLUTCH REPAIR KIT Ø15 MM	CENTER	8698984216641	1	6



Sen yane bilizimden sasma *Orjin* al.



www.orjinautomotive.com



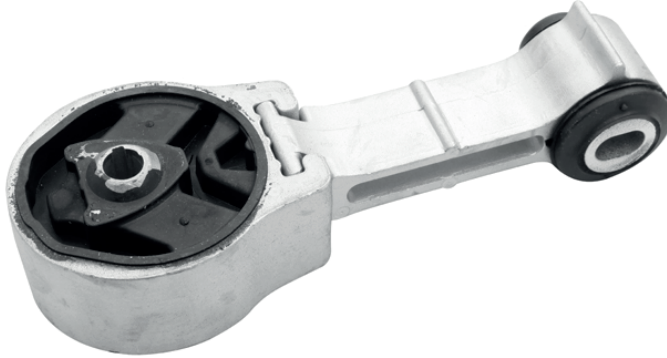


21665

*The brand names are reference purpose only.*

STOCK CODE	OEM CODE	BRAND	MODEL	YEAR	GROUP NAME	STATUS	BARCODE	BOX	PARCEL
21665	2042400917 /2042404317	MERCEDES	C-CLASS (W204)	01/2007 - 01/2014	ENGINE MOUNTING	CENTER	8698984216658	1	6





21666

*The brand names are reference purpose only.*

STOCK CODE	OEM CODE	BRAND	MODEL	YEAR	GROUP NAME	STATUS	BARCODE	BOX	PARCEL
21666	113560010R	RENAULT	MEGANE III (BZ_DZ_KZ_1)	11/2008-->	ENGINE MOUNTING	CENTER	8698984216665	1	6
21666	113560010R	RENAULT	MEGANE III GRANDTO(KZ0/1)	05/2009-->	ENGINE MOUNTING	CENTER	8698984216665	1	6
21666	113560010R	RENAULT	SCENIC III	02/2009-->	ENGINE MOUNTING	CENTER	8698984216665	1	6
21666	113560010R	RENAULT	SCENIC III (JZ0/1_)	02/2009-->	ENGINE MOUNTING	CENTER	8698984216665	1	6



Sen yane bilizizinden sasma *Orjin* al.



www.orjinautomotive.com



21667



21668



*The brand names are reference purpose only.*

STOCK CODE	OEM CODE	BRAND	MODEL	YEAR	GROUP NAME	STATUS	BARCODE	BOX	PARCEL
21667	7700416271 /7701209534 /8200427868	RENAULT	LAGUNA II (BG0_ BG1_)	03/2001 - 10/2007	ENGINE MOUNTING- (LH)	LEFT	8698984216672	1	6
21668	7700415488 /8200051813 /8200427869	RENAULT	LAGUNA II (BG0_ BG1_)	03/2001 - 10/2007	ENGINE MOUNTING- (RH)	RIGHT	8698984216689	1	6



Sen yane bilâğizimden sasma *Orjin* al.



www.orjinautomotive.com



21669

*The brand names are reference purpose only.*

STOCK CODE	OEM CODE	BRAND	MODEL	YEAR	GROUP NAME	STATUS	BARCODE	BOX	PARCEL
21669	480800003R /550445344R	RENAULT	MEGANE III (BZ_,DZ_,KZ_)	11/2008-->	BUSHING	CENTER	8698984216696	1	6



Sen yere bildiğinden sasma *Orjin al.*



www.orjinautomotive.com



21670

*The brand names are reference purpose only.*

STOCK CODE	OEM CODE	BRAND	MODEL	YEAR	GROUP NAME	STATUS	BARCODE	BOX	PARCEL
21670	7520850	FIAT	PALIO	04/1996-->	BUSHING	CENTER	8698984216702	1	6





21671

*The brand names are reference purpose only.*

STOCK CODE	OEM CODE	BRAND	MODEL	YEAR	GROUP NAME	STATUS	BARCODE	BOX	PARCEL
21671	8200002876 /8200002879	RENAULT	LAGUNA II (BG0_ BG1_)	03/2001 - 10/2007	BUSHING	CENTER	8698984216719	1	6



Sen yane bilatizimden sasma *Orjin al.*



www.orjinautomotive.com



21672

*The brand names are reference purpose only.*

STOCK CODE	OEM CODE	BRAND	MODEL	YEAR	GROUP NAME	STATUS	BARCODE	BOX	PARCEL
21672	113604EA0A	NISSAN	QASHQAI (J10E)	02/2007 - 12/2013	ENGINE MOUNTING	CENTER	8698984216726	1	6
21672	113604EA0A	NISSAN	QASHQAI II (J11,J11_)	11/2013-->	ENGINE MOUNTING	CENTER	8698984216726	1	6
21672	113604EA0A	RENAULT	KADJAR	03/2014-->	ENGINE MOUNTING	CENTER	8698984216726	1	6



Sen yane bilizimden sasma *Orjin al.*



www.orjinautomotive.com



21673



*The brand names are reference purpose only.*

STOCK CODE	OEM CODE	BRAND	MODEL	YEAR	GROUP NAME	STATUS	BARCODE	BOX	PARCEL
21673	7H5411313A	VOLKSWAGEN	TRANSPORTER V(7H_7J_7E)	04/2003 - 08/2015	BUSHING	CENTER	8698984216733	1	6







21674

*The brand names are reference purpose only.*

STOCK CODE	OEM CODE	BRAND	MODEL	YEAR	GROUP NAME	STATUS	BARCODE	BOX	PARCEL
21674	7H5411313B	VOLKSWAGEN	MULTIVAN T5 (7H_7E)	04/2003 - 08/2015	BUSHING	CENTER	8698984216740	1	6





21675

*The brand names are reference purpose only.*

STOCK CODE	OEM CODE	BRAND	MODEL	YEAR	GROUP NAME	STATUS	BARCODE	BOX	PARCEL
21675	423302 /423318	OPEL	VECTRA B (36_31_38_)	10/1995 - 04/2002	BUSHING	CENTER	8698984216757	1	6
21675	423302 /423318	OPEL	VECTRA B (196)	09/1995 - 06/2000	BUSHING	CENTER	8698984216757	1	6



Sen yane bilatizimden sasma **Orjin** al.



www.orjinautomotive.com



21676

*The brand names are reference purpose only.*



STOCK CODE	OEM CODE	BRAND	MODEL	YEAR	GROUP NAME	STATUS	BARCODE	BOX	PARCEL
21676	402643 /90217845	OPEL	CORSA B (73_78_79_F35)	03/1993 - 09/2000	BUSHING	CENTER	8698984216764	1	6
21676	402643 /90217845	OPEL	TIGRA (95_)	07/1994 - 12/2000	BUSHING	CENTER	8698984216764	1	6



Sen yane biletizimden sasma *Orjin al.*





21677

*The brand names are reference purpose only.*

STOCK CODE	OEM CODE	BRAND	MODEL	YEAR	GROUP NAME	STATUS	BARCODE	BOX	PARCEL
21677	1K0511327AP	AUDI	A3 (8P1)	05/2003 - 08/2012	BUSHING	CENTER	8698984216771	1	6



Sen yane bilatizimden sasma *Orjin* al.



www.orjinautomotive.com



21678

*The brand names are reference purpose only.*

STOCK CODE	OEM CODE	BRAND	MODEL	YEAR	GROUP NAME	STATUS	BARCODE	BOX	PARCEL
21678	1J0199429	AUDI	A3 (8L1)	09/1996 - 04/2003	BUSHING	CENTER	8698984216788	1	6
21678	1J0199429	SEAT	LEON (1M1)	11/1999 - 06/2006	BUSHING	CENTER	8698984216788	1	6



Sen yane bilizizinden sasma *Orjin* al.



www.orjinautomotive.com



21679

*The brand names are reference purpose only.*

STOCK CODE	OEM CODE	BRAND	MODEL	YEAR	GROUP NAME	STATUS	BARCODE	BOX	PARCEL
21679	4B0199379A /4B0199379E	AUDI	A4 (8D2,B5)	01/1995 - 11/2000	ENGINE MOUNTING	CENTER	8698984216795	1	6



*Sen yine biletizimden sasma Orjin al.*



www.orjinautomotive.com



21680

*The brand names are reference purpose only.*

STOCK CODE	OEM CODE	BRAND	MODEL	YEAR	GROUP NAME	STATUS	BARCODE	BOX	PARCEL
21680	191501541	SEAT	TOLEDO I (1L)	01/1991 - 03/1999	BUSHING	CENTER	8698984216801	1	6



Sen yane bilizizinden sasma *Orjin al.*



www.orjinautomotive.com



21681

*The brand names are reference purpose only.*

STOCK CODE	OEM CODE	BRAND	MODEL	YEAR	GROUP NAME	STATUS	BARCODE	BOX	PARCEL
21681	60570732	ALFA ROMEO	ALFA 155 (167)	01/1992 - 12/1997	SHOCK ABSORBER MOUNTING	CENTER	8698984216818	1	6







21684

*The brand names are reference purpose only.*

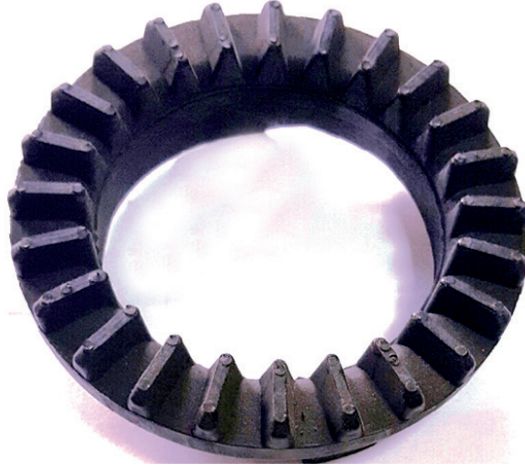
STOCK CODE	OEM CODE	BRAND	MODEL	YEAR	GROUP NAME	STATUS	BARCODE	BOX	PARCEL
21684	503808 /503852 /95603783	CITROEN	C8	07/2002-->	SHOCK ABSORBER MOUNTING	CENTER	8698984216849	1	6



*Sen yane biletizimden sasma Orjin al.*



www.orjinautomotive.com



21685

*The brand names are reference purpose only.*

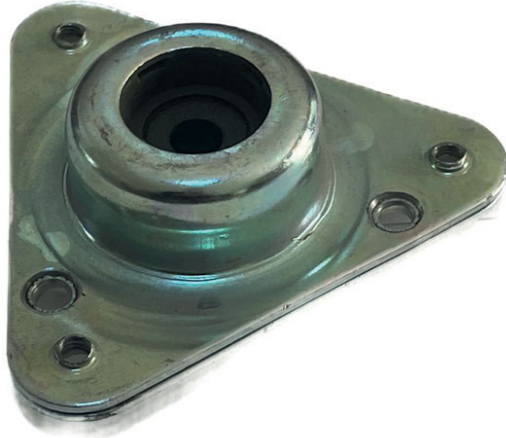
STOCK CODE	OEM CODE	BRAND	MODEL	YEAR	GROUP NAME	STATUS	BARCODE	BOX	PARCEL
21685	503139	CITROEN	SAXO (EXC. VTS-VTR)	05/1996 - 10/2003	SHOCK ABSORBER MOUNTING	CENTER	8698984216856	1	6



Sen yane bilatizimden sasma *Orjin al.*



www.orjinautomotive.com



21686

*The brand names are reference purpose only.*

STOCK CODE	OEM CODE	BRAND	MODEL	YEAR	GROUP NAME	STATUS	BARCODE	BOX	PARCEL
21686	8450006729	LADA	VESTA	09/2015-->	SHOCK ABSORBER MOUNTING	CENTER	8698984216856	1	6



31059

*The brand names are reference purpose only.*

STOCK CODE	OEM CODE	BRAND	MODEL	YEAR	GROUP NAME	STATUS	BARCODE	BOX	PARCEL
31059	2014100581	MERCEDES	190 (W201)	11/1982 - 08/1993	BUSHING	CENTER	8698984310592	1	6



*Sen yane bilâğizimden sasma Orjin al.*



www.orjinautomotive.com